

# Installation Instructions

Eibach Springs, Inc. • 264 Mariah Circle • Corona, California 92879-1751 • USA • Tech Support 800-222-8811 Ext 114



## Pro-Damper Kit – # 4017.840

Honda Civic, 1992-1995 & Acura Integra, 1994-2001

Kit Contents	Description	Part Number	Qty
	Left Front Damper	4017.8001L	1
	Right Front Damper	4017.8001R	1
	Rear Damper	4017.8002	2
	Information Kit	EPAK	1
	Instructions	4017.840INST	1
	Front/Rear Bumpstop	BS770143	4
	Front/Rear Dust Cover	BS770043	4

### NOTES: Read All Instructions Before Beginning Installation

1. Park vehicle on level surface and set emergency brake. Raise and support the vehicle with safety stands. Refer to factory manual for proper location of safety stands.
2. Power washing your chassis will make the installation cleaner.
  - **NOTE:** Never work on or under a vehicle unless it is properly supported by safety stands.

### Additional Eibach Components Available For Your Cars

Eibach Kits	Part Number	Description /	Front	Rear
<i>Pro-Kit</i>	4017.140	Civic 92-95	1.4"	1.2"
<i>Pro-Kit</i>	4020.140	Integra 94-01	1.3"	1.3"
<i>Sportline</i>	4.1740	Civic 92-95	1.6"	1.6"
	4.2040	Integra 94-01	1.7"	1.7"
<i>Anti-Roll Kit</i>	4017.321	Civic 92-95	26MM	17MM

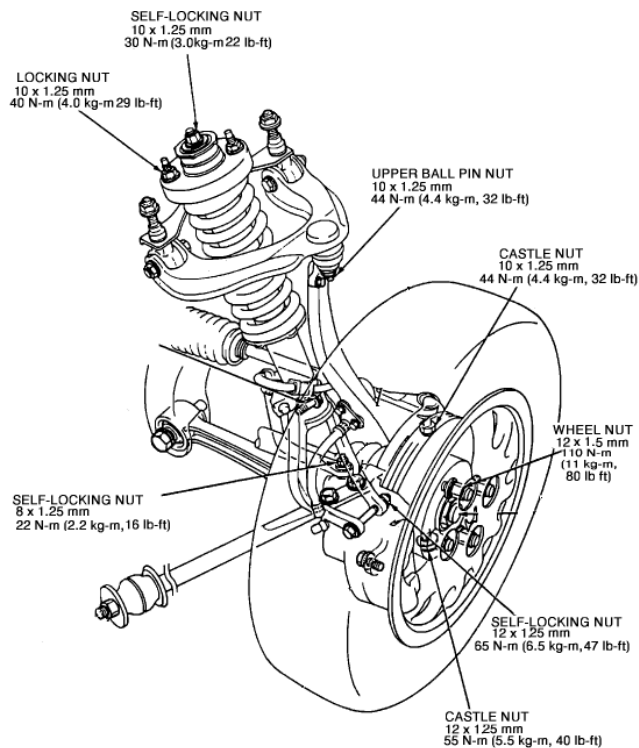
OR

Check Out Our Application Guide On-Line at <http://www.eibach.com>



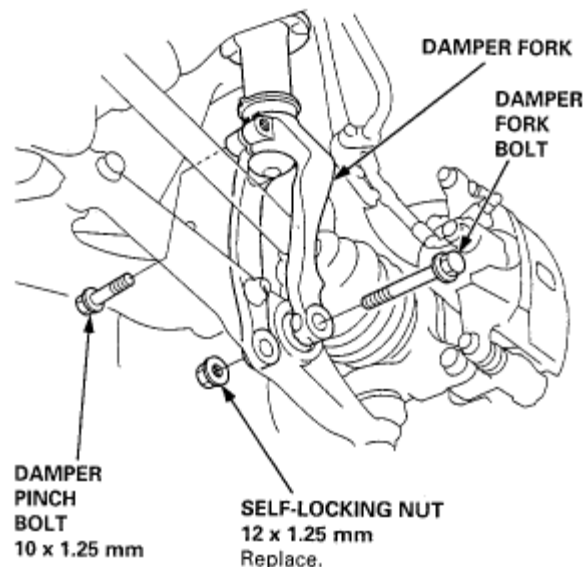
## FRONT PRO-DAMPER

1. With the vehicle safely supported on stands or on a hoist remove the front and rear wheels and tires.

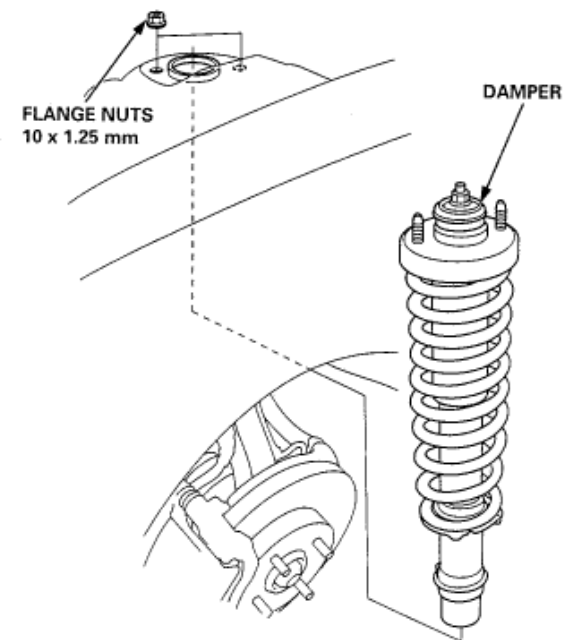


(Photo 1)

2. Remove the damper pinch bolt from the top of the damper fork.
3. Remove the damper fork bolt and self-locking nut from the bottom of the damper fork, and then remove the damper fork from the car. (See photos 1 & 2)
4. With the bottom of the front struts disconnected remove the strut assembly from the car by removing the two nuts located under the hood. (See photo 3)

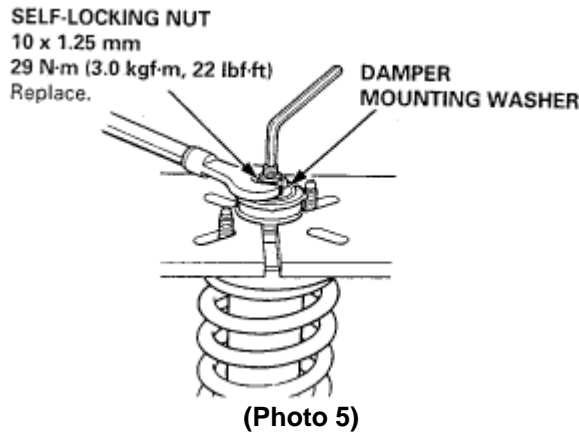
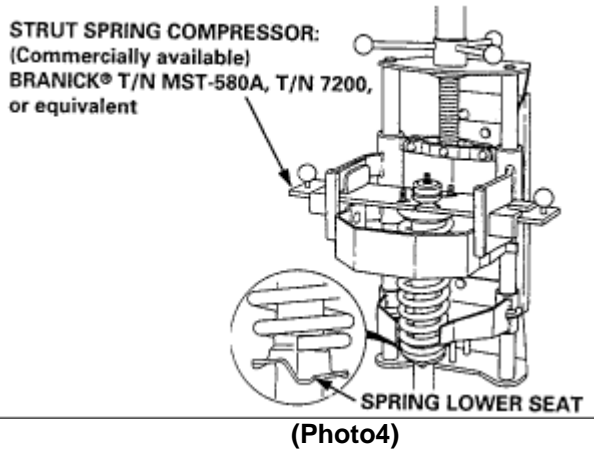


(Photo 2)



(Photo 3)

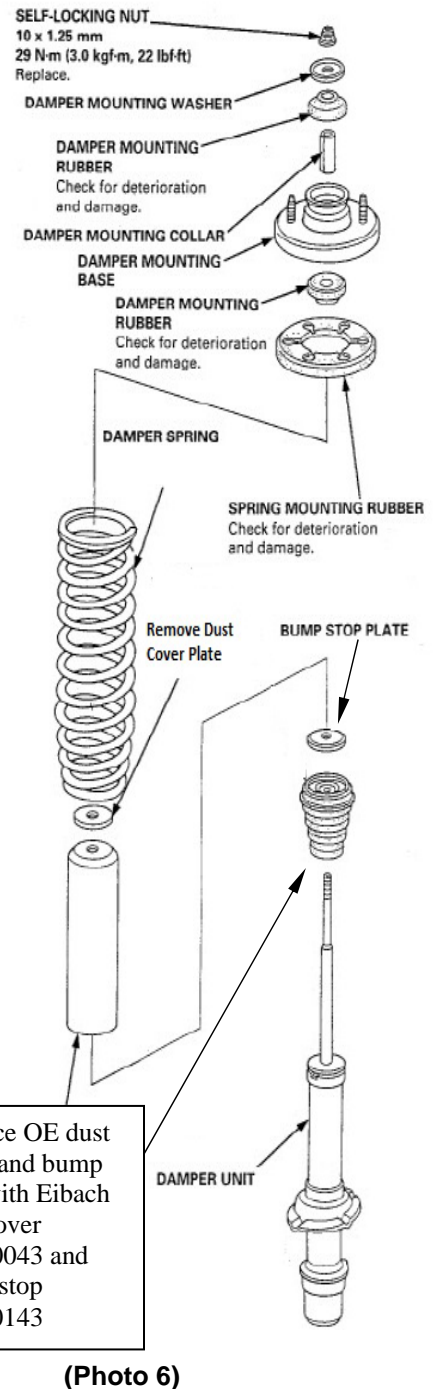
- With the strut assemblies removed from the car you are ready to dis-assemble them using a compressor. (See photos 4 & 5)



- Before dis-assembly it is a good idea to make an "index" mark with a paint pen or some type of marker on all the components of the strut assembly to ensure correct orientation during re-assembly.
- If you are replacing your springs with an Eibach Pro-Kit or Sportline kit now is a good time to lay those components out in preparation for assembly on the new struts.

**NOTE:** If this strut package is being installed with either Eibach Pro-Kit or Sportline kit **do not follow the spring's installation instructions regarding bumpstop trimming!** New front and rear replacement bumpstops are included ready to use with the struts and either Eibach spring kit, do not trim or modify them.

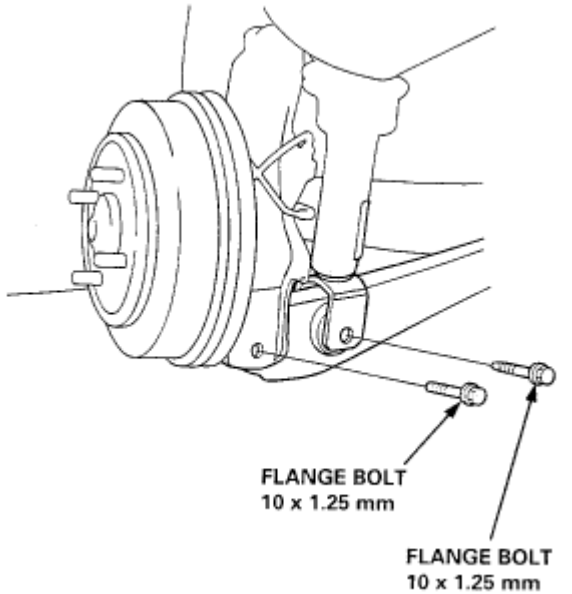
- With all the parts that are to be replaced and installed ready proceed with the assembly of the new strut assemblies. (See photo 6)



- Assemble the struts in the reverse order making sure to line up your "index" marks made in step 6. Re-install completed assemblies in car.

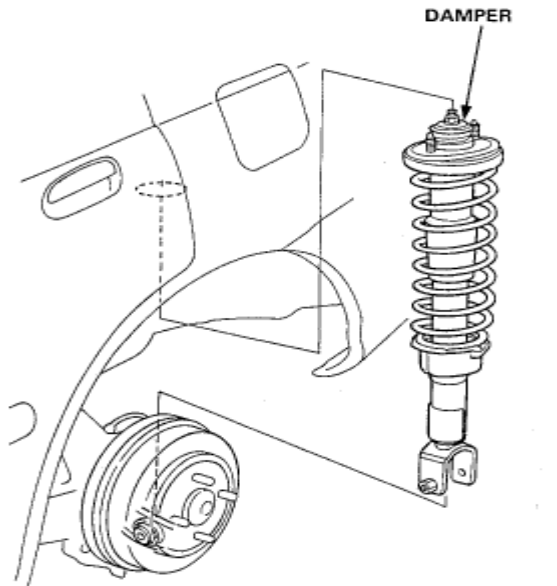
## REAR PRO-DAMPER

1. With the vehicle safely supported on stands or on a hoist remove the rear and rear wheels and tires.
2. Next remove the two top strut mount nuts inside the car.
3. Then remove the two bolts connecting the lower strut mount and the lower control arm. Use caution, as the lower control arm will droop out releasing the strut from the car. (See photo 1)



(Photo 1)

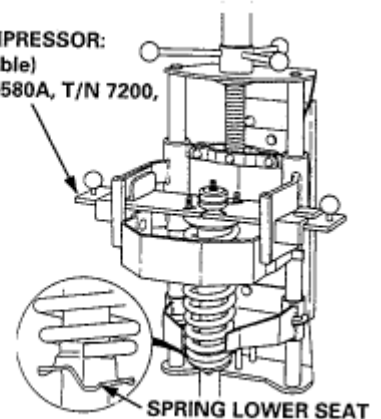
4. Remove the strut assembly from the vehicle, repeat on the other side. (See photo 2)



(Photo 2)

5. With the rear struts removed from the car you are now ready to make an index mark on all parts to aid in re-assembly, and place the struts in the compressor. (See photo 3)

STRUT SPRING COMPRESSOR:  
(Commercially available)  
BRANICK® T/N MST-580A, T/N 7200,  
or equivalent

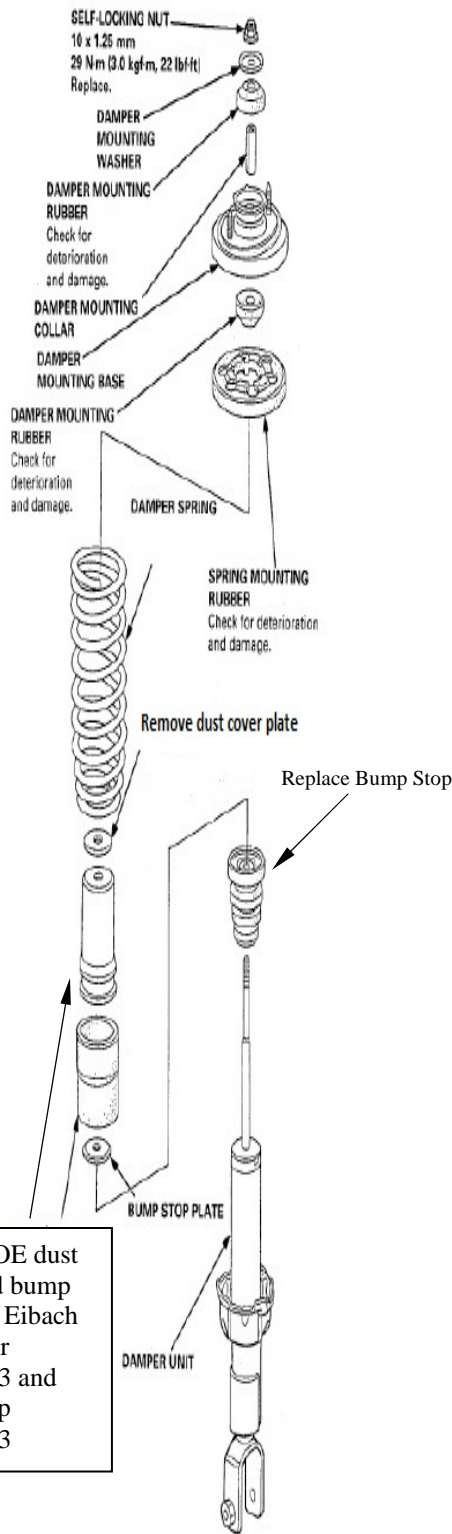


(Photo 3)

6. If you are replacing your springs with an Eibach Pro-Kit or Sportline kit now is a good time to lay those components out in preparation for assembly on the new struts.

**NOTE:** If this strut package is being installed with either Eibach Pro-Kit or Sportline kit **do not follow the spring's installation instructions regarding bumpstop trimming!** New front and rear replacement bumpstops are included ready to use with the struts and either Eibach spring kit, do not trim or modify them.

7. With all the parts that are to be replaced and installed ready proceed with the assembly of the new strut assemblies. (See photo 4 on following page)

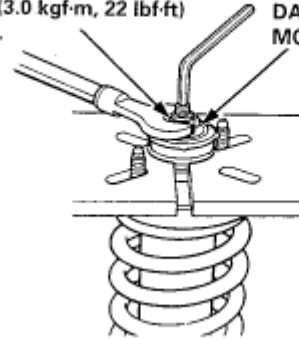


(Photo 4)

8. Hold the damper shaft with an allen wrench to prevent it from spinning while the nylok nut is torqued. Do not use an impact wrench as damage can occur. (See photo 5)

SELF-LOCKING NUT  
10 x 1.25 mm  
29 N·m (3.0 kgf·m, 22 lbf·ft)  
Replace.

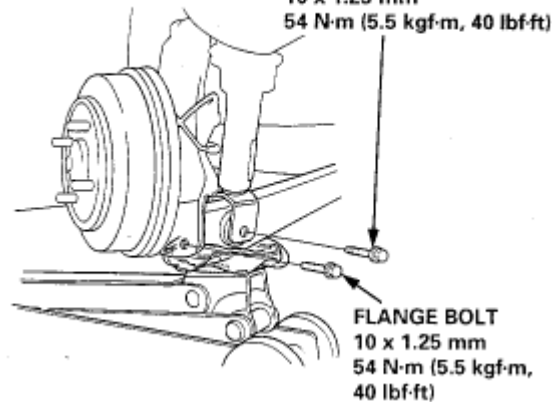
DAMPER MOUNTING WASHER



(Photo 5)

9. With the rear assemblies complete begin reinstalling them in the reverse order of removal. Leave the two lower bolts removed in step 3 loose at this time. (See photo 5)

FLANGE BOLT  
10 x 1.25 mm  
54 N·m (5.5 kgf·m, 40 lbf·ft)



(Photo 5)

10. Raise the rear suspension just until the vehicle lifts off the safety stand.

**WARNING:** The jack must be securely positioned or serious injury may result.

11. Tighten the bolts to the specified torque. This is done to prevent "bushing pre-load" which will contribute to un-even ride heights upon completion.
12. Check the wheel alignment, and adjust as necessary. Eibach recommends using factory alignment settings for maximum tire life.