

# Installation Instructions

Eibach Inc .264 Mariah Circle Corona, CA 92879 USA Tech Support 800-507-2338 ext. 114



## LOAD-LEVELING-SYSTEM: AK31-59-005-03-02

### Kit Contents

| Description                | Part Number     | Quantity |
|----------------------------|-----------------|----------|
| Spring, Rear               | 1400.375.0300S  | 2        |
| Rear Adjuster Sub-Assembly | AK31-59-005-ADJ | 1        |
| Bump Stop Sub-Assembly     | AK31-82-071-BMP | 1        |
| Spanner Wrench             | ETLLS5.0        | 1        |

### Notes

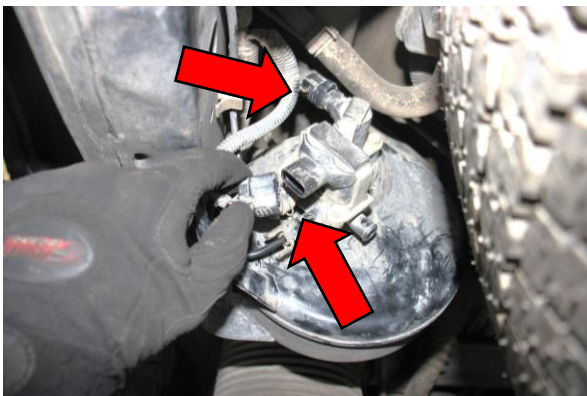
#### Read all instructions before beginning installation

Only qualified mechanics experienced in the installation and removal of suspension components should perform this installation.

Use of a hoist and screw jack is highly recommended and will substantially reduce installation time.

Never work on or under a vehicle unless it is properly supported.

### Installation



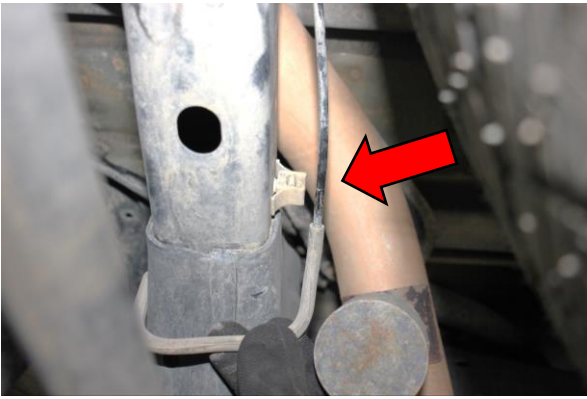
Step 1



Step 2

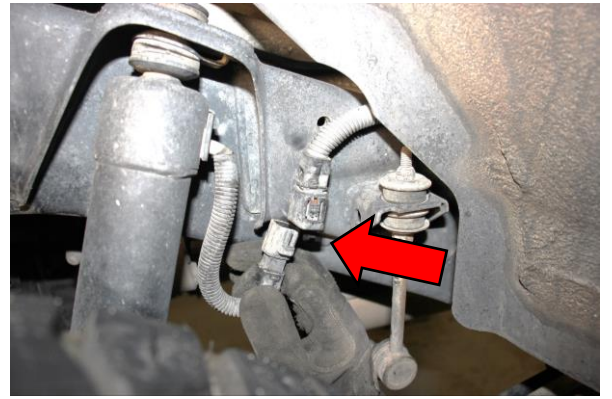
Step 1. Raise the rear of the vehicle until the wheels are off the ground, making sure the vehicle is properly supported, then, disconnect the air compressor electrical connections as shown.

Step 2. Disconnect the air lines from the compressor as shown.



Step 3

Step 3. Unclip the air lines from both the driver and passenger side frame rails.



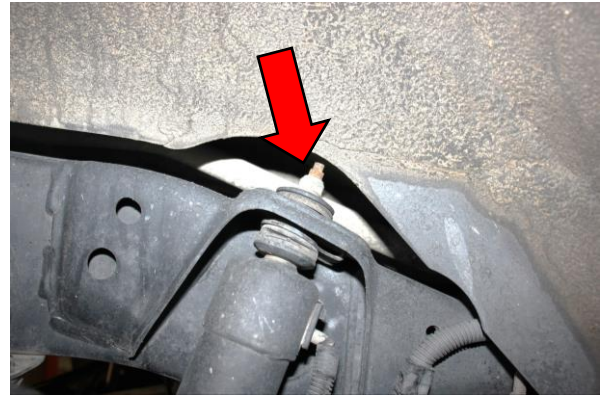
Step 4

Step 4. Disconnect both the left and right side shock electrical connections.



Step 5

Step 5. Loosen and remove the hex nut that secures both the left and right side end links to the ends of the anti roll bar.



Step 6

Step 6. Support the axle with a screw or floor jack, then, loosen and remove the hardware that secures both the left and right side upper shock mount.



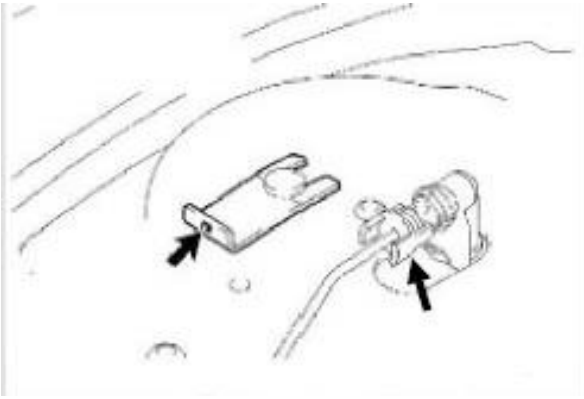
Step 7

Step 7. Loosen and remove the hardware that secures both the left and right side lower shock mount.



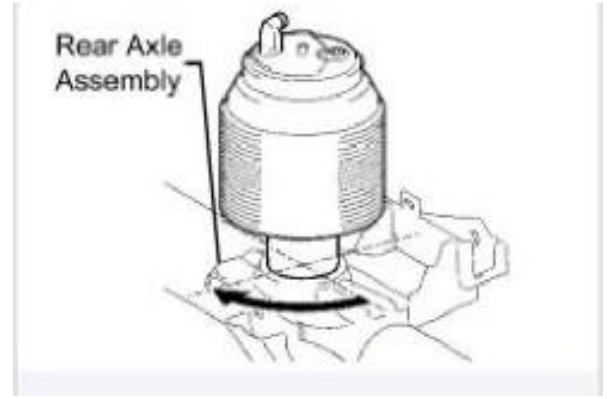
Step 8

Step 8. The air bag retainer clip and air line is located on top of the upper mount.



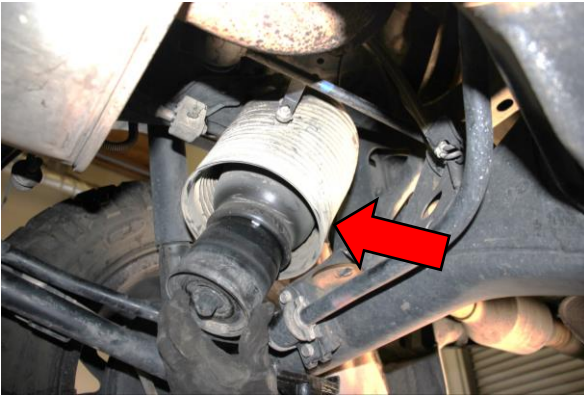
Step 8a

Step 8a. Remove the air bag retainer/clip and disconnect the air compressor line.



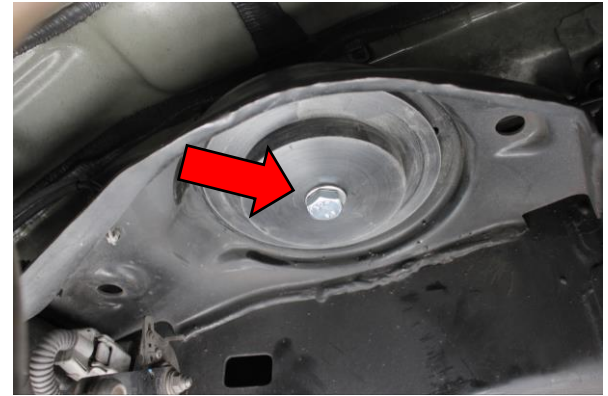
Step 8b

Step 8b. Lower the axle downward just enough to remove some pressure from the air bag assembly, then, rotate the assembly 90 degrees and push upwards to release the air bag.



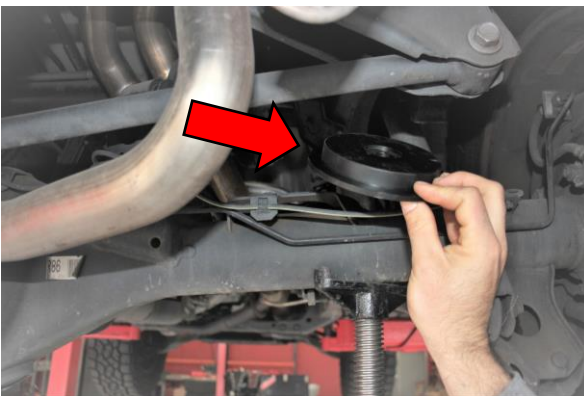
Step 8c

Step 8c. You can now remove the air bag assembly.



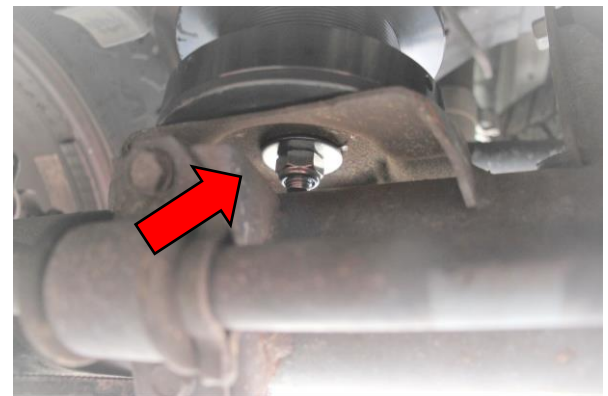
Step 9

Step 9. Install and secure the provided upper spring mount adapter to the upper mount using the provided M12x1.75 x30mm bolt, M12 washer and nyloc nut.



Step 10

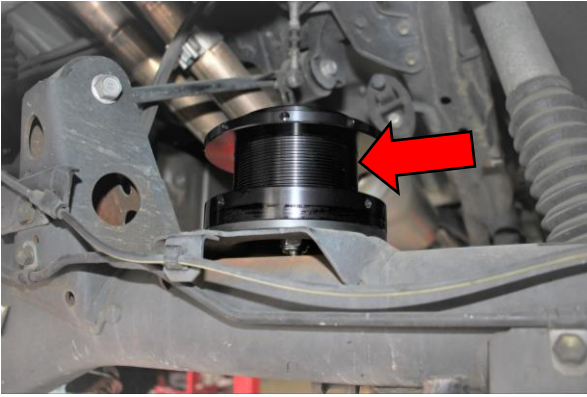
Step 10. Place the provided lower adapter on top of the original air bag mount.



Step 10a

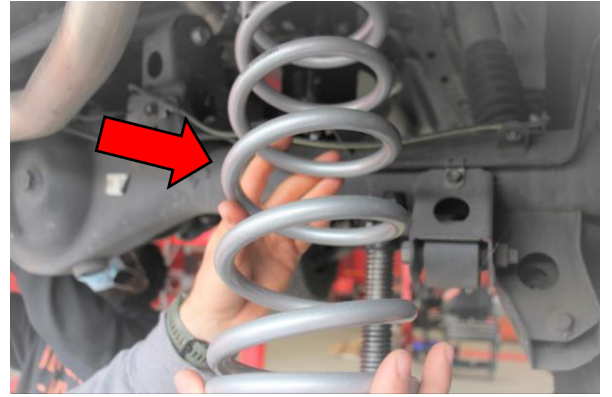
Step 10a. Secure the adapter using the provided M12x1.75x25mm bolt, M12 washer and nyloc nut.





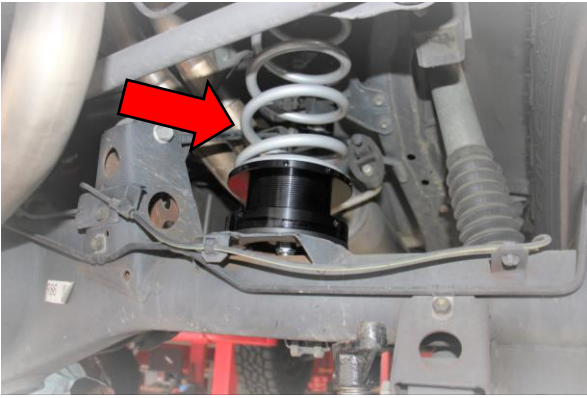
Step 11

Step 11. Place the rear adjuster assembly on top of the adapter from step 10.



Step 12

Step 12. Install the Eibach spring.



Step 13

Step 13. Raise the axle upwards just enough to make sure the spring is properly seated on the upper and lower mounts.



Step 14

Step 14. Secure the upper mount of the extended length shocks to the upper shock mount with the provided hardware.



Step 15

Step 15. Secure the lower shock mount to the axle mount using the OE hardware.



Step 16

Step 16. Secure the end links to the ends of the anti roll bar with the OE hardware.



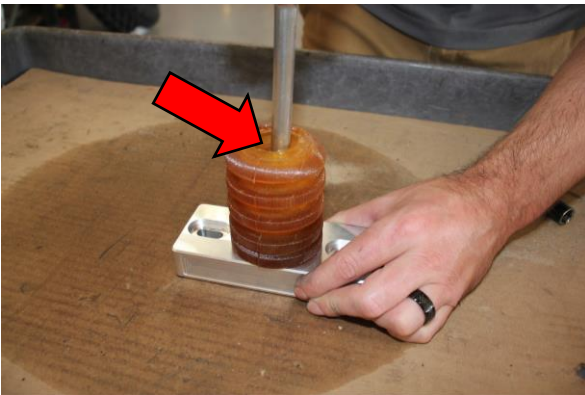
Step 17

Step 17. Loosen and remove the hardware that secures the OE bump stop assembly to the chassis.



Step 17a

Step 17a. Remove the OE bump stop assembly.



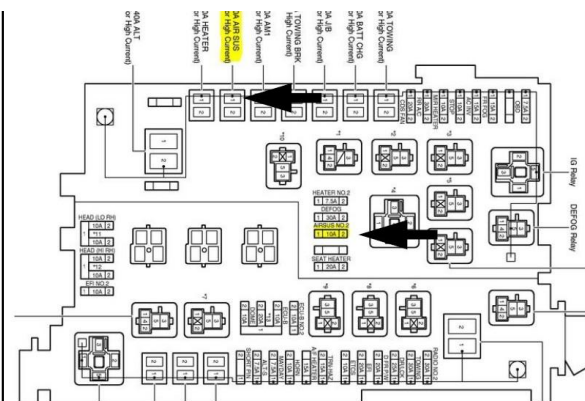
Step 18

Step 18. Secure the Eibach bump stop to the bump stop mount with the provided M10x1.5x30mm bolt.



Step 18a

Step 18a. Secure the Bump Stop assembly to the chassis using the provided M8x1.25x35mm bolt.



Step 19

Step 19. Remove the 50a Air Sus Relay and the Air Sus #2 10a fuse, shown as highlighted in yellow.



Step 20

Step 20. Double-check to make sure everything is properly positioned and tightened, then, road test the vehicle and re-tighten if necessary.

**Note:** This Eibach Load Leveling System is designed to be used on vehicles with 0-400 lbs. of additional weight in the rearward area of the truck. See the diagram and chart below for approximate heights with the preload collar set at full high with the corresponding weight.

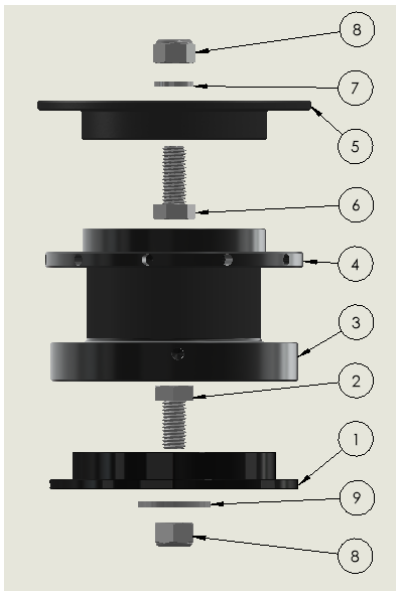
**Note:** Do not go past the full high measurement shown below.

**Note:** The Eibach Load Leveling System must not be used with the OE shocks. Extended travel shocks are required to avoid damage to the suspension.



| APPROXIMATE LIFT HEIGHTS |                   |
|--------------------------|-------------------|
| ADDITIONAL WEIGHT        | LIFT AT FULL HIGH |
| 200LBS                   | 3.4"              |
| 300LBS                   | 3.2"              |
| 400LBS                   | 2.9"              |

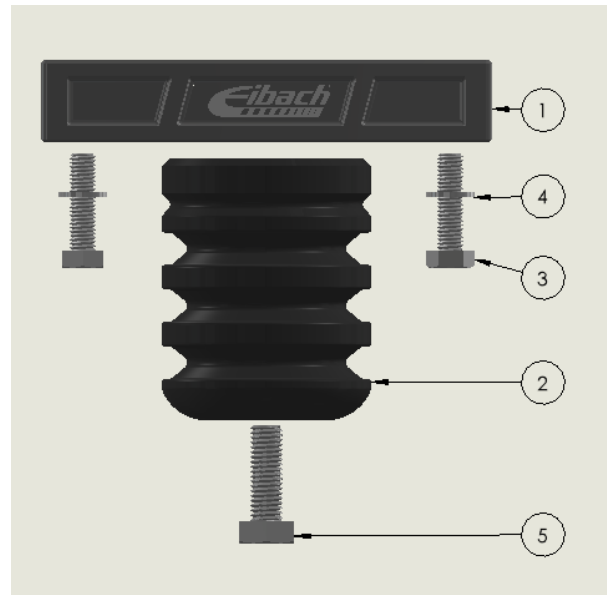
### AK31-59-005-ADJ



1. BOTTOM ERS ADAPTER x 2
2. M12X1.75X25 BOLT x 2
3. THREADED HOUSING x 2
4. SPRING PERCH x 2
5. UPPER SPRING ADAPTER x 2
6. M12X1.75X30 BOLT x 2
7. M12 WASHER x 2
8. M12X1.75 NYLOC NUT x 4
9. M12 FENDER WASHER x 2

D3998

### AK31-82-071-BMP



1. BUMP STOP MOUNT x 2
2. BUMP STOP x 2
3. M8X1.25X30 BOLT x 4
4. M8 WASHER x 4
5. M10X1.5X30 BOLT x 2