

Installation Instructions

Eibach Springs, Inc. • 264 Mariah Circle • Corona, California 92879-1751 • USA • Tech Support 800-222-8811 Ext 114

PRO-UTV #E85-40-039-02-22

Kit Contents	Description	Part Number	Qty
	Front Main Spring	1200.300.0250S	2
	Front Secondary Spring	1000.300.0150S	2
	Rear Main Spring	1600.300.0250S	2
	Rear Secondary Spring	1200.300.0150S	2
	Sliders	8001064	4
	Crossover Rings	8001104	8
	Instructions	PRO.UTVINST	1

NOTES: Read All Instructions Before Beginning Installation

- Only qualified technicians experienced in the installation and removal of suspension components should perform this installation.
- Use of a hoist and screw jack is highly recommended and will substantially reduce installation time.
- Never work on or under a vehicle unless it is properly supported.

RECOMMENDED FRONT SET-UP

1. Raise the front of the vehicle and support it with the proper safety equipment. **Note: Never work on or under a vehicle that is not supported by the proper safety equipment.**



Photo 1



Photo 2

2. Release the hood latches and remove the front hood as shown. (See Photos 1 & 2)



Photo 3



Photo 4



Photo 5

- Loosen and remove the upper and lower hardware that secures the coilover, then, remove the coilover from the vehicle as shown. (See Photos 3, 4 & 5)



Photo 6



Photo 7



Photo 8

- Use a spring compressor to remove the circlip and the spring retainer as shown. (See Photos 6, 7 & 8)



Photo 9



Photo 10



Photo 11

- You can now remove the main spring, slider and secondary spring as shown. (See Photos 9, 10 & 11)

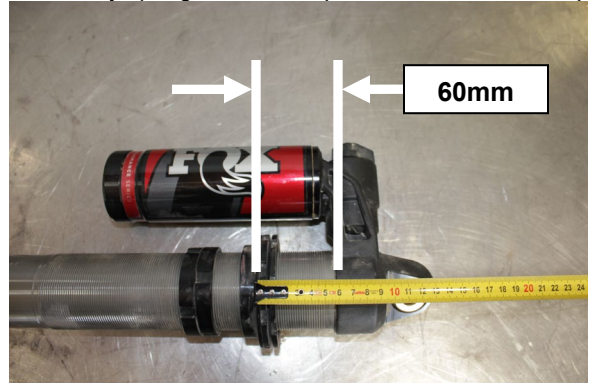


Photo 12

6. Adjust the preload collar and set it at **60mm** as shown. (See Photo 12)



Photo 13

7. Install the front crossover rings and set them at **60mm**.
Note: For more information on tuning your suspension, visit Eibach.com (See Photo 13)



Photo 14



Photo 15



Photo 16

8. You can now install the Eibach secondary spring, provided slider, and main spring as shown. (See Photos 14, 15 & 16)



Photo 17



Photo 18



Photo 19

9. Compress the spring assembly, then, install the spring retainer and circlip as shown. (See Photos 17, 18 & 19)



Photo 20



Photo 21



Photo 22

10. You can now reinstall the coilover using the factory hardware. (See Photos 20, 21 & 22)
11. Repeat the process on the opposite side, then, set the vehicle on the ground, making sure it's fully settled.

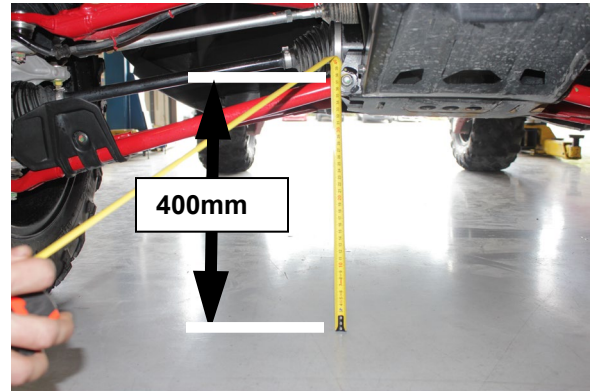


Photo 23

12. You can now adjust the upper preload collar to adjust the ride height. The recommended preload measurement in Step 6 Photo 12 will get the vehicle close to the recommended ride height but each vehicle may vary some. We recommend setting the ride height at 400mm measuring from the ground to the center of the lower control arm bolt as shown. (See Photo 23)

RECOMMENDED REAR SET-UP

1. Raise the rear of the vehicle until the wheels are off the ground and the suspension is fully unloaded. **Note: Never work on or under a vehicle that is not supported by the proper safety equipment.**



Photo 24



Photo 25



Photo 26

2. Loosen and remove the upper and lower hardware and remove the rear coilover. (See Photos 24, 25 & 26)



Photo 27



Photo 28



Photo 29

13. Use a spring compressor to remove the circlip and the spring retainer/dust shield assembly as shown. (See Photos 27, 28 & 29)



Photo 30



Photo 31



Photo 32

14. You can now remove the main spring, slider and secondary spring as shown. (See Photos 30, 31 & 32)

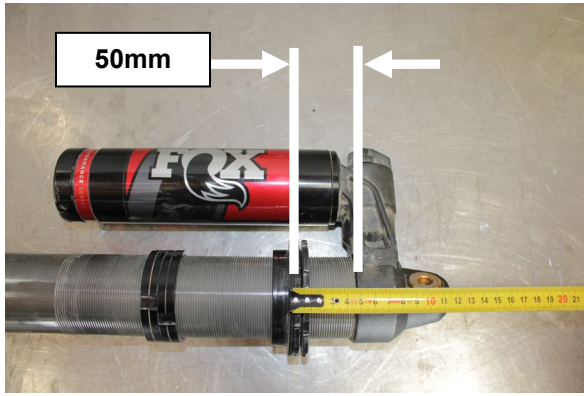


Photo 33

15. Set the preload collars at **50mm** as shown. (See **Photo 33**)

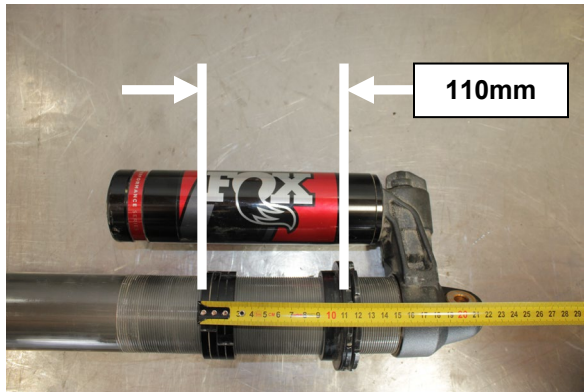


Photo 34

3. Install the crossover rings and set them at **110mm** as shown, then, lock them in place. (See **Photo 34**)



Photo 35



Photo 36



Photo 37

4. You can now install the secondary spring, slider, and main spring as shown. (See **Photos 35, 36 & 37**)



Photo 38



Photo 39



Photo 40



Photo 41

5. Compress the spring assembly and install the retainer/dust shield assembly and secure it with the circlip as shown. (See Photos 38, 39, 40 & 41)



Photo 42



Photo 43



Photo 44

6. You can now reinstall the coilover and secure it to the upper and lower mounts using the OE hardware as shown. (See Photos 42, 43 & 44)
7. Repeat this procedure on the opposite side.

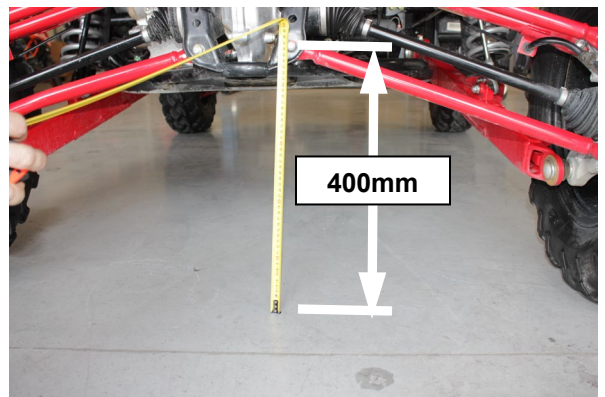


Photo 45

16. You can now adjust the upper preload collar to adjust the ride height. The recommended preload measurement in **Step 15 Photo 33** will get the vehicle close to the recommended ride height but each vehicle may vary some. We recommend setting the ride height at **400mm** measuring from the ground to the center of the lower control arm bolt as shown. (See Photo 45)

All ride height measurements are recorded using the stock 28" tire. Changing tire size will affect the ride height.

RECOMMENDED FRONT AND REAR SHOCK SETTINGS

- Front: #2 Position
- Rear: #2 Position

Note: These are the recommended shock settings that we tested using the spring rates provided in this kit.